



Forged Steel Gate Valve 800Lb

Applicable Standards:

- STEEL GATE VALVES, API 602
- STEEL VALVES, ASME B16.34
- FACE TO FACE, MANUFACTURER STANDARD
- FACE TO FACE, FLANGED, ASME B16.10
- END FLANGES, ASME B16.5
- BUTTWELDING ENDS, ASME B16.25
- SOCKET-WELDING ENDS, ASME B16.11
- SCREWED ENDS, ASME B1.20.1
- INSPECTION AND TEST, API 598

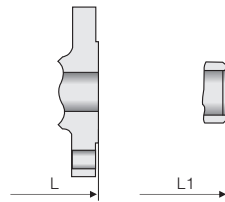
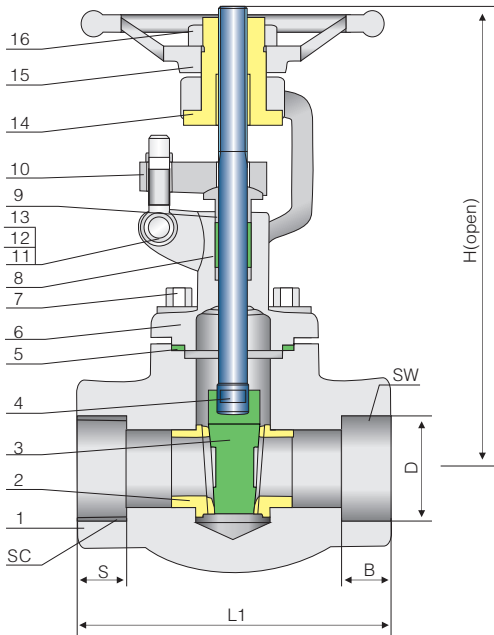
Design descriptions:

- OUTSIDE SCREW AND YOKE (OS&Y)
- BOLTED BONNET
- CHOICE OF WB, WELDED BONNET
- SINGLE WEDGE, FULLY GUIDED
- RENEWABLE SEAT RINGS
- YOKE INTEGRAL WITH BONNET
- RISING STEM AND NON-RISING HANDWHEEL
- SW, SOCKET-WELDING ENDS
- SC, SCREWED ENDS
- BW, BUTTWELDING ENDS
- FLANGED ENDS

Materials of parts

| No | Part Name | ASTM Materials | | |
|----|-----------------------------|----------------|---------------|------------------|
| | | C-Si | 16Cr-12Ni-2Mo | 1 1/4Cr-1/2Mo-Si |
| 1 | Body | A105 | A182-F316 | A182-F11 |
| 2 | Bonnet | A105 | A182-F316 | A182-F11 |
| 3 | Wedge | A182-F6a | A182-F316 | A182-F6a+HF |
| 4 | Stem | A276-410 | A276-316 | A276-410 |
| 5 | Seat Ring | A276-410 | A182-F316 | A276-410+HF |
| 6 | Bonnet Gasket ¹⁾ | Graphite+304 | Graphite+316 | Graphite+304 |
| 7 | Bonnet Stud | A193-B7 | A193-B8M | A193-B16 |
| 8 | Packing | Graphite | | |
| 9 | Gland | A276-410 | A276-316 | A276-410 |
| 10 | Gland Flange | A105 | A182-F316 | A182-F11 |
| 11 | Eyebolt Pin | A276-410 | A276-316 | A276-410 |
| 12 | Eyebolt | A193-B7 | A193-B8M | A193-B16 |
| 13 | Eyebolt Nut | A194-2H | A194-8M | A194-2H |
| 14 | Yokesleeve | A276-410 | | |
| 15 | Handwheel | Malleable Iron | | |
| 16 | Handwheel nut | Carbon Steel | | |

Note: 1) spiral wound construction



Dimensional datas

| NPS DN | Unit | L1 ¹⁾ | L(Flanged Ends) | | | d | SW | | SC | H(open) | D0 | WT ²⁾ (kg) | |
|-----------|------|------------------|-----------------|-------|-------|-------|-------|-------|-------|---------|-------|-----------------------|----------|
| | | | 150Lb | 300Lb | 600Lb | | D | B | | | | | |
| 3/8 | in | 3.12 | 4.00 | 5.50 | 6.50 | 0.394 | 0.693 | 0.378 | 3/8 | 0.540 | 6.00 | 4.00 | 4.5/4 |
| 10 | mm | 79 | 102 | 140 | 165 | 10 | 17.6 | 9.6 | | 13.6 | 151 | 100 | |
| 1/2 | in | 3.12 | 4.25 | 5.50 | 6.50 | 0.394 | 0.858 | 0.378 | 1/2 | 0.535 | 6.00 | 4.00 | 5.1/4 |
| 15 | mm | 79 | 108 | 140 | 165 | 10 | 21.8 | 9.6 | | 13.6 | 151 | 100 | |
| 3/4 | in | 3.62 | 4.62 | 6.00 | 7.50 | 0.531 | 1.067 | 0.500 | 3/4 | 0.547 | 6.25 | 4.00 | 8.2/4.3 |
| 20 | mm | 92 | 117 | 152 | 190 | 13.5 | 27.1 | 12.7 | | 13.9 | 158 | 100 | |
| 1 | in | 4.38 | 5.00 | 6.50 | 8.50 | 0.709 | 1.331 | 0.500 | 1 | 0.681 | 7.25 | 5.00 | 10.5/6.6 |
| 25 | mm | 111 | 127 | 165 | 216 | 18 | 33.8 | 12.7 | | 17.3 | 185 | 125 | |
| 1 1/4 | in | 4.75 | 5.50 | 7.00 | 9.00 | 0.945 | 1.677 | 0.500 | 1 1/4 | 0.709 | 9.38 | 6.25 | 12.4/9.5 |
| 32 | mm | 120 | 140 | 178 | 229 | 24 | 42.6 | 12.7 | | 18 | 239 | 160 | |
| 1 1/2 | in | 4.75 | 6.50 | 7.50 | 9.50 | 1.181 | 1.917 | 0.500 | 1 1/2 | 0.724 | 9.50 | 6.25 | 20.1/11 |
| 40 | mm | 120 | 165 | 190 | 241 | 30 | 48.7 | 12.7 | | 18.4 | 243 | 160 | |
| 2 | in | 5.50 | 7.00 | 8.50 | 11.50 | 1.437 | 2.406 | 0.626 | 2 | 0.756 | 11.00 | 7.00 | 28/14.5 |
| 50 | mm | 140 | 178 | 216 | 292 | 36.5 | 61.1 | 15.9 | | 19.2 | 279 | 180 | |

Notes: 1) BW, SW or SC.
2) 600Lb-RF/800Lb--(BW/SW/SC)



Forged Steel Globe Valve 800Lb

Applicable Standards:

- STEEL GLOBE VALVES, API 602
- STEEL VALVES, ASME B16.34
- FACE TO FACE, MANUFACTURER STANDARD
- FACE TO FACE, FLANGED, ASME B16.10
- END FLANGES, ASME B16.5
- BUTTWELDING ENDS, ASME B16.25
- SOCKET-WELDING ENDS, ASME B16.11
- SCREWED ENDS, ASME B1.20.1
- INSPECTION AND TEST, API 598

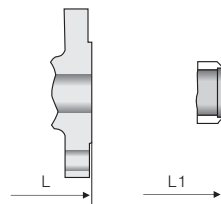
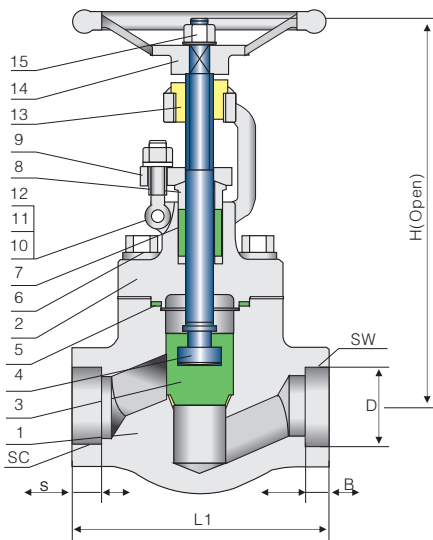
Design descriptions:

- OUTSIDE SCREW AND YOKE (OS&Y)
- BOLTED BONNET
- CHOICE OF WB, WELDED BONNET
- LOOSE DISC, CHOICE OF PLUG OR BALL
- SEAT RINGS INTEGRAL WITH BODY
- YOKE INTEGRAL WITH BONNET
- RISING STEM AND HANDWHEEL
- HORIZONTAL SERVICE
- SW, SOCKET-WELDING ENDS
- SC, SCREWED ENDS
- BW, BUTTWELDING ENDS

Materials of parts

| No | Part Name | ASTM Materials | | |
|----|-----------------------------|----------------|---------------|--|
| | | C-Si | 16Cr-12Ni-2Mo | 1 ¹ / ₄ Cr-1 ¹ / ₂ Mo-Si |
| 1 | Body | A105 | A182-F316 | A182-F11 |
| 2 | Bonnet | A105 | A182-F316 | A182-F11 |
| 3 | Disc | A182-F6a | A182-F316 | A182-F6A+HF |
| 4 | Stem | A276-410 | A276-316 | A276-410 |
| 5 | Bonnet Gasket ²⁾ | Graphite+304 | Graphite+316 | Graphite+304 |
| 6 | Bonnet Stud | A193-B7 | A193-B8M | A193-B16 |
| 7 | Packing | Graphite | | |
| 8 | Gland | A276-410 | A276-316 | A276-410 |
| 9 | Gland Flange | A105 | A182-F316 | A182-F11 |
| 10 | Eyebolt Pin | A276-410 | A276-316 | A276-410 |
| 11 | Eyebolt | A193-B7 | A193-B8M | A193-B16 |
| 12 | Eyebolt Nut | A194-2H | A194-8M | A194-2H |
| 13 | Yokesleeve | A276-410 | | |
| 14 | Handwheel | Malleable Iron | | |
| 15 | Handwheel Nut | Carbon Steel | | |

Note: 1) seat integral with body
2) spiral wound construction



150-600Lb

Dimensional datas

| NPS DN | Unit | L1 ¹⁾ | L(Flanged Ends) | | | d | SW | | SC | H(open) | D0 | WT ²⁾ (kg) | |
|-------------------------------|------|------------------|-----------------|-------|-------|-------|-------|-------|-------------------------------|---------|-------|-----------------------|-----------|
| | | | 150Lb | 300Lb | 600Lb | | D | B | | | | | |
| | | | NPT | | S | | | | | | | | |
| 3/8 | in | 3.12 | 4.00 | 6.00 | 6.50 | 0.354 | 0.693 | 0.378 | 3/8 | 0.540 | 6.50 | 4.00 | 3.8/2.8 |
| 10 | mm | 79 | 102 | 152 | 165 | 9 | 17.6 | 9.6 | | 13.6 | 164 | 100 | |
| 1/2 | in | 3.12 | 4.25 | 6.00 | 6.50 | 0.354 | 0.858 | 0.378 | 1/2 | 0.535 | 6.50 | 4.00 | 5.6/3.4 |
| 15 | mm | 79 | 108 | 152 | 165 | 9 | 21.8 | 9.6 | | 13.6 | 164 | 100 | |
| 3/4 | in | 3.62 | 4.62 | 7.00 | 7.50 | 0.512 | 1.067 | 0.500 | 3/4 | 0.547 | 6.50 | 4.00 | 7.8/4.7 |
| 20 | mm | 92 | 117 | 178 | 190 | 13 | 27.1 | 12.7 | | 13.9 | 164 | 100 | |
| 1 | in | 4.38 | 5.00 | 8.00 | 8.50 | 0.689 | 1.331 | 0.500 | 1 | 0.681 | 8.00 | 5.00 | 12.5/9.2 |
| 25 | mm | 111 | 127 | 203 | 216 | 17.5 | 33.8 | 12.7 | | 17.3 | 203 | 125 | |
| 1 ¹ / ₄ | in | 4.75 | 5.50 | 8.50 | 9.00 | 0.906 | 1.677 | 0.500 | 1 ¹ / ₄ | 0.709 | 8.88 | 6.25 | 17/10.5 |
| 32 | mm | 120 | 140 | 216 | 229 | 23 | 42.6 | 12.7 | | 18 | 224 | 160 | |
| 1 ¹ / ₂ | in | 6.00 | 6.50 | 9.00 | 9.50 | 1.142 | 1.917 | 0.500 | 1 ¹ / ₂ | 0.724 | 10.25 | 6.25 | 23.5/13.3 |
| 40 | mm | 152 | 165 | 229 | 241 | 29 | 48.7 | 12.7 | | 18.4 | 260 | 160 | |
| 2 | in | 6.75 | 8.00 | 10.50 | 11.50 | 1.378 | 2.406 | 0.626 | 2 | 0.756 | 11.88 | 7.00 | 38.8/18.9 |
| 50 | mm | 172 | 203 | 267 | 292 | 35 | 61.1 | 15.9 | | 19.2 | 300 | 180 | |

Notes: 1) BW, SW or SC.
2) 600Lb-RF/800Lb--(BW/SW/SC).

Applicable Standards:

- STEEL CHECK VALVES, API 602
- STEEL VALVES, ASME B16.34
- FACE TO FACE, MANUFACTURER STANDARD
- FACE TO FACE, FLANGED, ASME B16.10
- END FLANGES, ASME B16.5
- BUTTWELDING ENDS, ASME B16.25
- SOCKET-WELDING ENDS, ASME B16.11
- SCREWED ENDS, ASME B1.20.1
- INSPECTION AND TEST, API 598

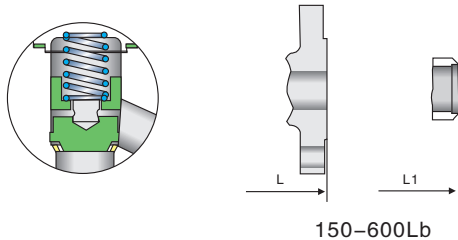
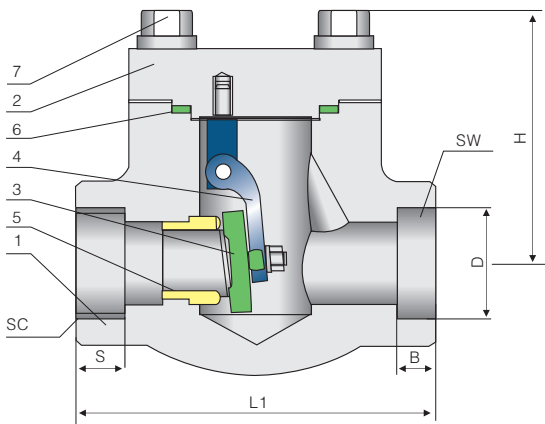
Design descriptions:

- BOLTED COVER
- CHOICE OF WB, WELDED COVER
- SEAT RINGS TYPE
- SEAT RINGS INTEGRAL WITH BODY OF LIFT
- HORIZONTAL OR VERTICAL SERVICE
- SW, SOCKET-WELDING ENDS
- SC, SCREWED ENDS
- BW, BUTTWELDING ENDS
- FLANGED ENDS

Materials of parts

| No | Part Name | C-Si | ASTM Materials | |
|----|----------------------|--------------|----------------|------------------|
| | | | 16Cr-12Ni-2Mo | 1 1/4Cr-1/2Mo-Si |
| 1 | Body | A105 | A182-F316 | A182-F11 |
| 2 | Cover | A105 | A182-F316 | A182-F11 |
| 3 | Disc | A182-F6a | A182-F316 | A182-F6A+HF |
| 4 | Hinge | A276-410 | A276-316 | A276-410 |
| 5 | Seat | A276-410 | A182-F316 | A276-410+HF |
| 6 | Gasket ²⁾ | Graphite+304 | Graphite+316 | Graphite+304 |
| 7 | Stud | A193-B7 | A193-B8M | A193-B16 |

Note: 1) lift type check valve seat ring integral with body.
2) spiral wound construction.



150-600Lb

Dimensional datas

| NPS DN | Unit | L1 ¹⁾ | L(Flanged Ends) | | | d | SW | | SC | H | WT ²⁾ (kg) | |
|-----------|------|------------------|-----------------|-------|-------|-------|-------|-------|-------|-------|-----------------------|-----------|
| | | | 150Lb | 300Lb | 600Lb | | D | B | | | | |
| 3/8 | in | 3.12 | 4.00 | 6.00 | 6.50 | 0.354 | 0.693 | 0.378 | 3/8 | 0.540 | 2.40 | 3.8/2.8 |
| 10 | mm | 79 | 102 | 152 | 165 | 9 | 17.6 | 9.6 | | 13.6 | 61 | |
| 1/2 | in | 3.12 | 4.25 | 6.00 | 6.50 | 0.354 | 0.858 | 0.378 | 1/2 | 0.535 | 2.40 | 5.6/3.4 |
| 15 | mm | 79 | 108 | 152 | 165 | 10 | 21.8 | 9.6 | | 13.6 | 61 | |
| 3/4 | in | 3.62 | 4.62 | 7.00 | 7.50 | 0.512 | 1.067 | 0.500 | 3/4 | 0.547 | 2.40 | 7.8/4.7 |
| 20 | mm | 92 | 117 | 178 | 190 | 13 | 27.1 | 12.7 | | 13.9 | 61 | |
| 1 | in | 4.38 | 5.00 | 8.00 | 8.50 | 0.689 | 1.331 | 0.500 | 1 | 0.681 | 3.07 | 12.5/9.2 |
| 25 | mm | 111 | 127 | 203 | 216 | 17.5 | 33.8 | 12.7 | | 17.3 | 78 | |
| 1 1/4 | in | 4.75 | 5.50 | 8.50 | 9.00 | 0.906 | 1.677 | 0.500 | 1 1/4 | 0.709 | 3.31 | 17/10.5 |
| 32 | mm | 120 | 140 | 216 | 229 | 23 | 42.6 | 12.7 | | 18 | 84 | |
| 1 1/2 | in | 4.75 | 6.50 | 9.00 | 9.50 | 1.142 | 1.917 | 0.500 | 1 1/2 | 0.724 | 10.25 | 23.5/13.3 |
| 40 | mm | 120 | 165 | 229 | 241 | 30 | 48.7 | 12.7 | | 18.4 | 3.98 | |
| 2 | in | 5.50 | 8.00 | 10.50 | 11.50 | 1.378 | 2.406 | 0.626 | 2 | 0.756 | 4.72 | 38.8/18.9 |
| 50 | mm | 140 | 203 | 267 | 292 | 35 | 61.1 | 15.9 | | 19.2 | 120 | |